

STAINLESS STEEL HYDRAULIC FITTINGS

J.I.C. – S.A.E.

STANDARD – JUMPSIZE – SPECIAL



AIR-WAY
GLOBAL MANUFACTURING



TUBE FITTINGS

Refer to "Tube Fittings, JIC-SAE" Chart for sizes














NOTE: Also available in FLARE-O® and O-Ring Face Seal Styles.

 SS302 Short Nut	(070111)  SS304 Standard Nut	(070112)  SS304-C Cap Nut	(070118)  SS306-LN Bulkhead Lock Nut	(070117)  SS306-N Adjustable Lock Nut	(070110)  SS318 Tube Nut	(070115)  SS319 Tube Sleeve
(070101)  SS2403 Str. (1 & 2) Male Tube Union	(070119)  SS2403-LH Str. (1 & 2) Male Tube Union Large Hex	(070102)  SS2404 Str. (1) Male Tube (2) Male Pipe	(070102L)  SS2404-L Str. (1) Male Tube (2) Male Pipe - Long	 SS2404-LL Str. (1) Male Tube (2) Male Pipe - Ex-Long	 SS2404-LLL Str. (1) Male Tube (2) Male Pipe - Ex-Ex-Long	(070103)  SS2405 Str. (1) Male Tube (2) Female Pipe
(070123)  SS2406 Str. Reducer (1) 37° Female (2) Male Tube	(070123)  SS2407 Str. Reducer (1) 37° Female (2) Male Tube	(070109)  SS2408 Plug - Ext. Hex (1) Male Tube	(070201)  SS2500 90° (1 & 2) Male Tube	(070202)  SS2501 90° (1) Male Tube (2) Male Pipe	(070203)  SS2502 90° (1) Male Tube (2) Male Pipe	(070302)  SS2503 45° (1) Male Tube (2) Male Pipe
 SS2504 45° (1 & 2) Male Tube	(070425)  SS2601 Tee (1 & 2) Male Tube (3) Male Pipe	(070427)  SS2602 Tee (1 & 2) Male Tube (3) Female Pipe	(070401)  SS2603 Tee (1, 2 & 3) Male Tube	(070424)  SS2605 Tee (1 & 3) Male Tube (2) Male Pipe	(070426)  SS2602 Tee (1 & 3) Male Tube (2) Female Pipe	 SS2607 Tee (1) Male Tube (2 & 3) Male Pipe
(070434)  SS2608 Tee (1) Male Tube (2) Female Pipe (3) Male Pipe	 SS2609 Tee (1) Male Tube (2 & 3) Female Pipe	 SS2610 Tee (1 & 2) Male Pipe (3) Male Tube	 SS2612 Tee (1 & 2) Female Pipe (3) Male Tube	(070501)  SS2650 Cross (1, 2, 3 & 4) Male Tube	 SS2651 Cross (1, 2, & 3) Male Tube (4) Male Pipe	 SS2653 Cross (1 & 2) Male Tube (3 & 4) Male Pipe
 SS2654 Cross (1 & 3) Male Tube (2 & 4) Male Pipe	(070601)  SS2700-LN Str. (1) Male Tube (2) Bulkhead	(070701)  SS2701-LN 90° (1) Male Tube (2) Bulkhead	(070801)  SS2702-LN 45° (1) Male Tube (2) Bulkhead	(070959)  SS2703-LN Tee (1 & 2) Male Tube (3) Bulkhead	(070958)  SS2704-LN Tee (1 & 3) Male Tube (2) Bulkhead	 SS2705-LN Str. (1) Female Tube (2) Bulkhead
 SS2706-LN Str. (1) Male Pipe (2) Bulkhead	(420160)  SS4404 Str. (1) Beaded (2) Male Pipe	(070221)  SS6500 90° (1) Male Tube (2) 37° Female Swivel	 SS6501 90° (1) Male Pipe (2) 37° Female Swivel	(070321)  SS6502 45° (1) Male Tube (2) 37° Female Swivel	 SS6503 Str. (1) Female Pipe (2) 37° Female Swivel	 SS6504 Str. (1) Male Tube (2) 37° Female Swivel
 SS6505 Str. (1) Male Pipe (2) 37° Female Swivel	 SS6506 Str. (1) Female Pipe (2) 37° Female Swivel	 SS6565 Str. (1 & 2) 37° Female Swivel	 SS6600 Tee (1 & 2) Male Tube (3) 37° Female Swivel	 SS6602 Tee (1 & 3) Male Tube (2) 37° Female Swivel		

BRAZE FITTINGS FOR TUBING

Refer to "Tube Fittings, JIC-SAE" Chart for sizes

NOTE: Also available in FLARE-O® and O-Ring Face Seal Styles.

 SS403 Str. (1) Bore (2) Male Tube	 SS404 Str. (1) Bore (2) Male Pipe	 SS500 90° (1) Bore (2) Male Tube	 SS600 Tee (1 & 2) Bore (3) Male Tube	 SS601 Tee (1 & 2) Bore (3) Male Pipe	 SS603 Tee (1, 2 & 3) Bore	 SS702 Tee (1) Bore (2 & 3) Male Tube
 SS800 Str. (1) Bore (2) Female Pipe Swivel	 SS801 90° (1) Bore (2) Female Pipe Swivel	 SS802 Tee (1 & 2) Bore (3) Female Pipe Swivel	 SS900 Str. (1) Bore (2) 37° Female Swivel	 SS901 90° (1) Bore (2) 37° Female Swivel	 SS902 Tee (1) Bore (2 & 3) Female Swivel	

ADJUSTABLE & O-RING FITTINGS

Refer to "Tube Fittings, JIC-SAE" Chart for sizes

 SS4604-O Str. (1) Beaded (2) Male O-Ring	 SS6400-O Str. (1) Male Tube (2) Male O-Ring	 SS6400-L-O Str. (1) Male O-Ring (2) Male O-Ring - Long	 SS6400-LL-O Str. (1) Male Tube (2) Male O-Ring - Ex-Long	 SS6400-LLL-O Str. (1) Male Tube (2) Male O-Ring - Ex-Ex-Long	 SS6401-O Str. (1) Male O-Ring (2) Male Pipe	 SS6402-O Str. (1) Male O-Ring (2) 37° Female Swivel
 SS6404 Str. (1) Female O-Ring (2) Male Pipe	 SS6405-O Str. (1) Male O-Ring (2) Female Pipe	 SS6407-NWO Str. (1) Male O-Ring (2) Adjustable O-Ring	 SS6408-O Plug - Ext. Hex (1) Male O-Ring	 SS6409-O Plug - Int. Hex (1) Male O-Ring	 SS6410-O Str. (1) Male O-Ring (2) Female O-Ring	 SS6801-NWO 90° (1) Male Tube (2) Adjustable O-Ring
 SS6802-NWO 45° (1) Male Tube (2) Adjustable O-Ring	 SS6803-NWO Tee (1 & 2) Male Tube (3) Adjustable O-Ring	 SS6804-NWO Tee (1 & 3) Male Tube (2) Adjustable O-Ring	 SS6805-NWO 90° (1) Adjustable O-Ring (2) Female Pipe	 SS6900-O STR. (1) Male O-Ring (2) Female Pipe Swivel	 SS6901-NWO 90° (1) Adjustable O-Ring (2) Female Pipe Swivel	

TUBE FITTINGS, JIC-SAE

Dash Number	2	3	4	5	6	8	10	12	14	16	18	20	24	32
Tube O.D.	1/8	3/16	1/4	5/16	3/8	1/2	5/8	3/4	7/8	1	1-1/8	1-1/4	1-1/2	2
Decimal	.125	.188	.250	.313	.375	.500	.625	.750	.875	1.000	1.125	1.250	1.500	2.000
M.M. Equivalent	3.175	4.763	6.350	7.938	9.525	12.700	15.875	19.050	22.225	25.400	28.575	31.750	38.100	50.800
Straight Thread	5/16-24	3/8-24	7/16-20	1/2-20	9/16-18	3/4-16	7/8-14	1-1/16-12	1-3/16-12	1-5/16-12	1-1/2-12	1-5/8-12	1-7/8-12	2-1/2-12
Decimal-threads/inch	.313	.375	.438	.500	.563	.750	.875	1.063	1.188	1.313	1.500	1.625	1.875	2.500
	-24	-24	-20	-20	-18	-16	-14	-12	-12	-12	-12	-12	-12	-12
M.M. Equivalent	7.938	9.525	11.113	12.700	14.288	19.050	22.225	26.988	30.163	33.338	38.100	41.275	47.625	63.500
	-24	-24	-20	-20	-18	-16	-14	-12	-12	-12	-12	-12	-12	-12
Pipe Thread Standard	1/8	1/8	1/8	1/8	1/4	3/8	1/2	3/4	3/4	1	1	1-1/4	1-1/2	2
Decimal	.125	.125	.125	.125	.250	.375	.500	.750	.750	1.000	1.000	1.250	1.500	2.000
M.M. Equivalent	3.175	3.175	3.175	3.175	6.350	9.525	12.700	19.050	19.050	25.400	25.400	31.750	38.100	50.800




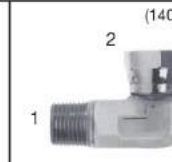
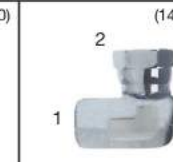
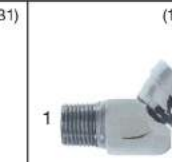
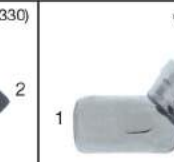


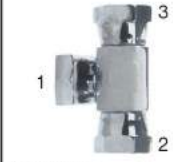














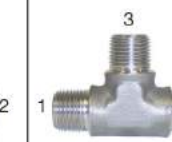







ADAPTER UNIONS & PIPE FITTINGS

Dash Number	2	4	6	8	12	16	20	24	32
Pipe Thread NPSM-NPTF	1/8	1/4	3/8	1/2	3/4	1	1-1/4	1-1/2	2
Decimal	.125	.250	.375	.500	.750	1.000	1.250	1.500	2.000
M.M. Equivalent	3.175	6.350	9.525	12.700	19.050	25.400	31.750	38.100	50.800

ADAPTER UNIONS

Refer to "Adapter Unions & Pipe Fittings" Chart for sizes

NOTE: Also available in FLARE-O® and O-Ring Face Seal Styles.

 <p>(140130)</p> <p>1 2</p> <p>SS1404 Str. (1) Male Pipe (2) Female Pipe Swivel</p>	 <p>(140131)</p> <p>1 2</p> <p>SS1405 Str. (1) Female Pipe (2) Female Pipe Swivel</p>	 <p>(140230)</p> <p>1 2</p> <p>SS1406 Str. (1 & 2) Female Pipe Swivel</p>	 <p>(140231)</p> <p>1 2</p> <p>SS1501 90° (1) Male Pipe (2) Female Pipe Swivel</p>	 <p>(140330)</p> <p>1 2</p> <p>SS1502 90° (1) Male Pipe (2) Female Pipe Swivel</p>	 <p>(140331)</p> <p>1 2</p> <p>SS1503 45° (1) Male Pipe (2) Female Pipe Swivel</p>	 <p>(140331)</p> <p>1 2</p> <p>SS1504 45° (1) Female Pipe (2) Female Pipe Swivel</p>	
 <p>(140138)</p> <p>1 2 3</p> <p>SS1601 Tee (1) Male Pipe (2 & 3) Female Pipe Swivel</p>	 <p>(140137)</p> <p>1 2 3</p> <p>SS1602 Tee (1) Female Pipe (2 & 3) Female Pipe Swivel</p>	 <p>(140137)</p> <p>1 2 3</p> <p>SS1603 Tee (1, 2 & 3) Female Pipe Swivel</p>	<p>PIPE FITTINGS Refer to "Adapter Unions & Pipe Fittings" Chart for sizes</p>			 <p>(140138)</p> <p>1 2</p> <p>SS5000 Str. (1 & 2) Female Pipe</p>	 <p>(140137)</p> <p>1 2</p> <p>SS5404 Str. (1 & 2) Male Pipe</p>
 <p>(140139)</p> <p>1 2</p> <p>SS5404-N Str. Nipple (1 & 2) Male Pipe</p>	 <p>(140140)</p> <p>1 2</p> <p>SS5405 Str. Reducer (1) Male Pipe (2) Female Pipe</p>	 <p>(130109E)</p> <p>1</p> <p>SS5406 Bushing (1) Male Pipe (2) Female Pipe</p>	 <p>(130109E)</p> <p>1</p> <p>SS5406-P Plug - Ext. Hex (1) Male Pipe</p>	 <p>(130109E)</p> <p>1</p> <p>SS5406-C Pipe Cap (1) Female Pipe</p>	 <p>(130109E)</p> <p>1</p> <p>SS5409 Plug - Int. Hex (1) Male Pipe</p>	 <p>(140137)</p> <p>1 2</p> <p>SS5500 90° (1 & 2) Male Pipe</p>	
 <p>(140239)</p> <p>1 2</p> <p>SS5501 45° (1 & 2) Male Pipe</p>	 <p>(140339)</p> <p>1 2</p> <p>SS5502 90° (1) Male Pipe (2) Female Pipe</p>	 <p>(140238)</p> <p>1 2</p> <p>SS5503 45° (1) Male Pipe (2) Female Pipe</p>	 <p>(140238)</p> <p>1 2</p> <p>SS5504 90° (1 & 2) Female Pipe</p>	 <p>(140238)</p> <p>1 2</p> <p>SS5505 45° (1 & 2) Female Pipe</p>	 <p>(140238)</p> <p>1 2 3</p> <p>SS5600 Tee (1, 2, & 3) Male Pipe</p>	 <p>(140238)</p> <p>1 2 3</p> <p>SS5601 Tee (1 & 2) Male Pipe (3) Female Pipe</p>	
 <p>(140424)</p> <p>1 2 3</p> <p>SS5602 Tee (1) Male Pipe (2 & 3) Female Pipe</p>	 <p>(140425)</p> <p>1 2 3</p> <p>SS5603 Tee (1 & 3) Male Pipe (2) Female Pipe</p>	 <p>(140425)</p> <p>1 2 3</p> <p>SS5604 Tee (1 & 2) Female Pipe (3) Male Pipe</p>	 <p>(140438)</p> <p>1 2 3</p> <p>SS5605 Tee (1, 2 & 3) Female Pipe</p>	 <p>(140438)</p> <p>1 2 3 4</p> <p>SS5650 Cross (1, 2, 3 & 4) Male Pipe</p>	 <p>(140438)</p> <p>1 2 3 4</p> <p>SS5652 Cross (1, 2, 3 & 4) Female Pipe</p>		

ORDER INFORMATION Sizes of the fittings are indicated by the dash numbers as relating to sixteenth's of an inch measured from the Outside Diameter of the tube size used. For example; 1/2" O.D. (8/16) or - 8. Male or Female pipe sizes are similar in that 1/2" pipe thread is also (8/16) or - 8.

Our standard items can be ordered using the appropriate chart and dash numbers. For example: SS 2501-8-6 is a 1/2" tube end with 3/4-16 straight thread on that end and 3/8" pipe thread on the other end. SS 2501-8-12 is a 1/2", 37 degree tube end with 3/4-16 straight thread on that end and 3/4" pipe thread on the other end.

Adjustable and O-Ring fittings may be purchased in various stages of assembly. For example: SS 6801-8-8-NWO would be assembled complete with "N" Nut, "W" Washer and "O" O-Ring. SS 6801-8-8-NW would be assembled with "N" Nut, "W" Washer only.

Special items and configurations are available to order using customer specifications. Pricing and availability of these items can be furnished on request.



AIR-WAY. ADAPT TO ANYTHING.

AIR-WAY has been providing hydraulic fitting and adapter solutions for over 60 years. You'll find thousands of forged or two-piece configurations in carbon steel, stainless steel, or brass materials. Air-Way offers customers unequalled value through superior custom manufacturing capability, unique delivery options, quality, and customer service. Visit AIR-WAY.com to stay connected.

AIR-WAY MANUFACTURING COMPANY | 586 N. MAIN STREET | OLIVET, MI 49076

p 800-253-1036 | p 269-749-2161 | f 269-749-2046 | e sales@AIR-WAY.com | w AIR-WAY.com